

AN1011: Standalone Programmer via the SWD Interface



This application note describes a standalone programmer to program the internal flash and user page of EFM32 Gecko, Series 0 and 1, EZR32 Series 0, and EFR32 Wireless Gecko Series 1 devices that use the Serial Wire Debug (SWD) interface.

Details on how to use the SWD interface to program device can be found in *AN0062: Programming Internal Flash over the Serial Wire Debug Interface*. This document focuses on how to optimize the process when programming the devices.

The objectives of a standalone programmer are low cost, easy to build, simple to use and no PC connection is required.

For simplicity, EFM32 Wonder Gecko, Gecko, Giant Gecko, Leopard Gecko, Tiny Gecko, Zero Gecko, and Happy Gecko are a part of the EFM32 Gecko Series 0.

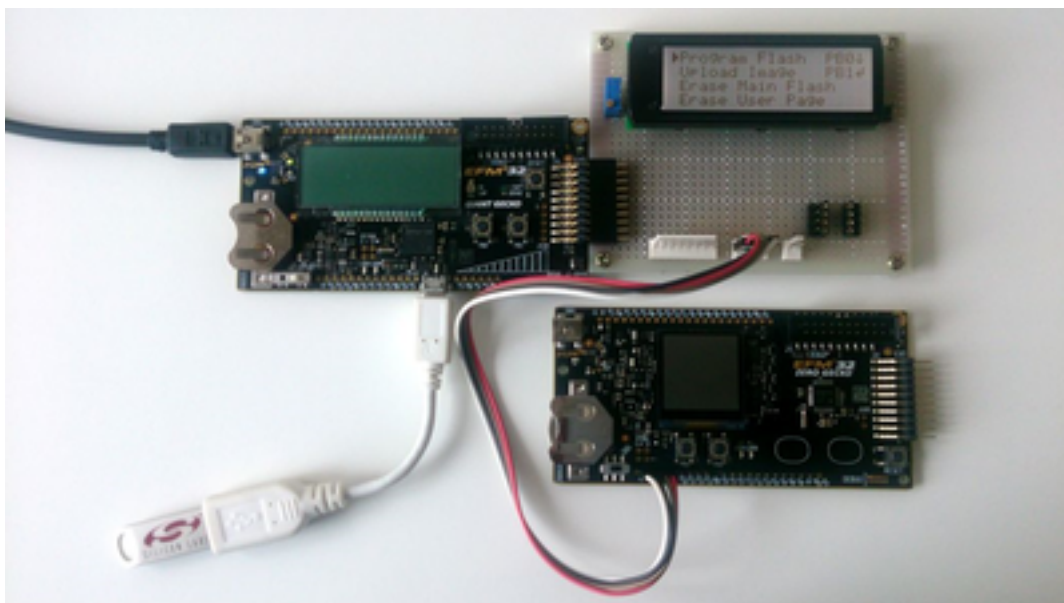
EZR32 Wonder Gecko, Leopard Gecko, and Happy Gecko are a part of the EZR32 Wireless MCU Series 0.

EFM32 Pearl Gecko and Jade Gecko (and future devices) are a part of the EFM32 Gecko Series 1.

EFR32 Blue Gecko, Flex Gecko, and Mighty Gecko are a part of the EFR32 Wireless Gecko Series 1.

KEY POINTS

- The Serial Wire Debug (SWD) interface is a two-wire interface used by Silicon Labs EFM32 Gecko, EZR32, and EFR32 Wireless Gecko devices.
- The programmer writes directly to the target device Memory System Controller (MSC) registers over the SWD interface.
- Future Silicon Labs EFM32/EFR32/EZR32 devices can be easily added to the programmer.



1. Hardware Overview

The standalone programmer reads binary data from a Mass Storage Device (MSD) and stores it to the external EBI NAND Flash or SPI NOR Flash for device programming. The programmer uses GPIO to emulate the Serial Wire Debug (SWD) interface to program the target device. The user interface is handled by push buttons, LEDs and LCD module.

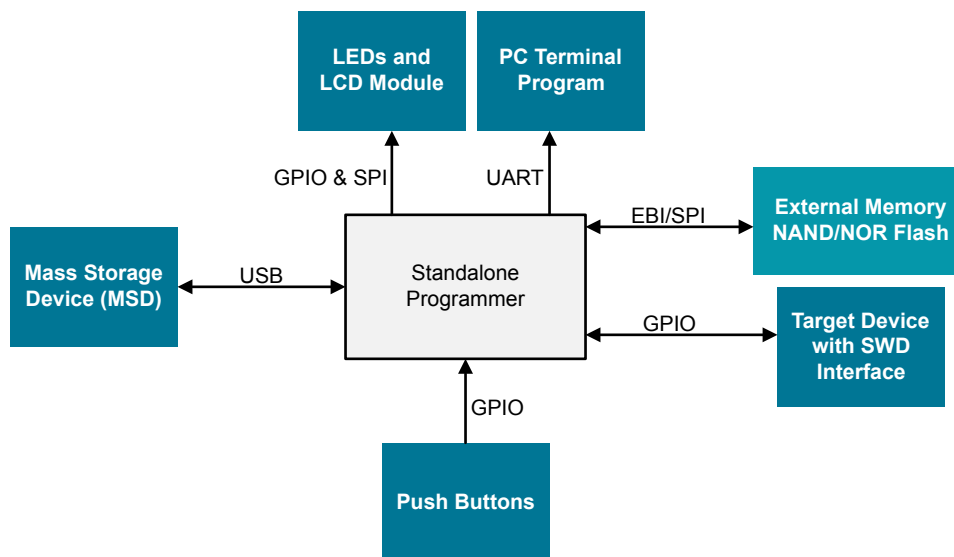


Figure 1.1. Block Diagram of Standalone Programmer

1.1 Hardware Platform

There is a [compile option](#) to select the hardware platform for the standalone programmer. The programming firmware supports two hardware topologies: one which is based on the STK boards, and the other which is based on a custom hardware design. These are described in the following sections.

This package can be found on the Silicon Labs website (www.silabs.com/32bit-appnotes) or within Simplicity Studio using the **[Application Notes]** tile.

1.1.1 EFM32 STK

The EFM32GG_STK3700 and EFM32WG_STK3800 can be used as the EFM32 STK hardware platform of the standalone programmer.

- Handy, plug and run: no host PC is required.
- On board SEGGER JLink debugger and USB virtual COM port (CDC).
- Supports USB host, and MCU can run up to 48 MHz.
- Onboard 32 MB NAND Flash can be used to store the binary image.
- The upper 512 KB internal flash of EFM32GG990F1024 on EFM32GG_STK3700 can also be used as cache to speed up the programming process.
- Minimal hardware is required to build the programmer.

Table 1.1. Resources of EFM32 STK Used by Programmer

GPIO	Signal	Function
PB9	UIF_PB0	Push button 0 (PB0)
PB10	UIF_PB1	Push button 1 (PB1)
PB13	HFXTAL_P	48 MHz crystal
PB14	HFXTAL_N	48 MHz crystal
PB15	NAND_PWR_EN	NAND flash power enable
PC1	NAND_ALE	NAND flash address latch enable
PC2	NAND_CLE	NAND flash command latch enable
PD13	NAND_WP#	NAND flash write protect
PD14	NAND_CE#	NAND flash chip enable
PD15	NAND_R/B#	NAND flash ready/busy
PE0 (UART0#1)	EFM_BC_TX	Serial port TX (optional)
PE2	UIF_LED0	LED0
PE3	UIF_LED1	LED1
PE8-15	NAND_IO0-7	NAND flash 8 bit data bus
PF0	DBG_SWCLK	Debug SWCLK
PF1	DBG_SWDIO	Debug SWDIO
PF5	EFM_USB_VBUSEN	USB 5V VBUS enable
PF6	EFM_USB_OC_FAULT	USB over current detect (optional)
PF7	EFM_BC_EN	Virtual COM port enable (optional)
PF8	NAND_WE#	NAND flash write enable
PF9	NAND_RE#	NAND flash read enable
PF10	EFM_USB_DM	USB D-
PF11	EFM_USB_DP	USB D+

The 20-pin expansion header (P100) of EFM32 STK is used to connect target device and optional SPI LCD module.

Table 1.2. Expansion Header for External Hardware and Target Device

Expansion Header Pin Number	Signal	Function
1	GND	Target device GND
2	VMCU	Target device VDD
4	PD0 (USART1#1)	SPI LCD module MOSI (optional)
6	PD1 (USART1#1)	SPI LCD module MISO (optional)
7	PC4	Target device SWCLK
8	PD2 (USART1#1)	SPI LCD module CLK (optional)
9	PC5	Target device SWDIO
12	PD4	Target device RESET
13	PB12	SPI LCD module RESET (optional)
16	PD6	SPI LCD module CS (optional)
20	3V3	SPI LCD module backlight supply (optional)

1.1.2 Customized Hardware

Alternatively, the EFM32WG332F64/128/256 and EFM32GG332F1024 devices can be used on a custom hardware platform to implement the standalone programmer.

- PCB layout is required.
- Supports USB host, and MCU can run up to 48 MHz.
- Low pin count 4 MB SPI NOR Flash can be used to store the binary image.
- The upper 512 KB internal flash of EFM32GG332F1024 can be used as a cache to speed up the programming process.
- Supports the option to configure it as a gang programmer to program up to 4 or 8 devices sequentially.

Table 1.3. Pin Assignments of Customized Hardware

GPIO	Signal	Function
PA4	TARGET_SWC	Target device SWCLK
PA5	TARGET_SWD	Target device SWDIO
PB7	LFXTAL_P	32768 Hz crystal (reserve)
PB8	LFXTAL_N	32768 Hz crystal (reserve)
PB13	HFXTAL_P	48 MHz crystal
PB14	HFXTAL_N	48 MHz crystal
PC0 (I2C0#4)	I2C_SDA	I2C interface (reserve)
PC1 (I2C0#4)	I2C_SCL	I2C interface (reserve)
PC2 (USART2#0)	UART_TX	Serial port TX (optional)
PC3 (USART2#0)	UART_RX	Serial port RX (reserve)
PC4	TARGET_RESET	Target device RESET
PC6	GANG4_SELECT	Select x4 gang programmer mode
PC7	GANG8_SELECT	Select x8 gang programmer mode
PC8	UIF_PB0	Push button 0 (PB0)
PC9	UIF_PB1	Push button 1 (PB1)
PD0 (USART1#1)	FLASH_MOSI	SPI Flash MOSI
PD1 (USART1#1)	FLASH_MISO	SPI Flash MISO
PD2 (USART1#1)	FLASH_CLK	SPI Flash CLK
PD3 (USART1#1)	FLASH_CS	SPI Flash CS
PD5	MUX_A	MUX select A
PD6	MUX_B	MUX select B
PD7	MUX_C	MUX select C
PD8	MUX_OE	MUX output enable
PE9	LCD_RESET	SPI LCD module RESET
PE10 (USART0#0)	LCD_MOSI	SPI LCD module MOSI
PE11 (USART0#0)	LCD_MISO	SPI LCD module MISO
PE12 (USART0#0)	LCD_CLK	SPI LCD module CLK
PE13 (USART0#0)	LCD_CS	SPI LCD module CS
PE14	UIF_LED0	LED0

GPIO	Signal	Function
PE15	UIF_LED1	LED1
PF0	DBG_SWCLK	Debug SWCLK
PF1	DBG_SWDIO	Debug SWDIO
PF2	USB_OC_FAULT	USB over current detect (optional)
PF5	USB_VBUSEN	USB 5V VBUS enable
PF10	USB_DM	USB D-
PF11	USB_DP	USB D+

The reference schematic of the customized hardware platform is in the “sch” folder of this application note software package.

1.2 Memory for Binary Image Storage

There is a [compile option](#) to select EBI NAND flash or SPI NOR flash for the binary image storage.

1.2.1 EBI NAND Flash

The on board NAND256W3A NAND flash is organized as 512 bytes per page, 32 pages (16 KB) per block, with the total memory size of 2048 blocks (32 MB). The NAND flash is accessed by the External Bus Interface (EBI) of EFM32GG or EFM32WG.

If the binary image is not a multiple of the flash page size (512 bytes), the remaining bytes are padded with 0xFF to keep the program image aligned with the flash page.

Table 1.4. EBI NAND Flash Memory Map

Data	Block	Page	Size	Remark
Main flash image	0 – 127	0 – 4095	2048 kB	Maximum 1 MB for existing micro-controller
Reserve for future expansion	128 – 2042	4096 – 65375	30640 kB	Reserve for future microcontroller >2 MB
User flash image	2043	65376 – 65407	16 kB	Maximum 2 KB for existing micro-controller
Main flash program information	2044	65408 – 65439	16 kB	File name, Start address and Lock selection
Main flash image information	2045	65440 – 65471	16 kB	Main flash image size and CRC16
User page program information	2046	65472 – 65503	16 kB	File name and Start address
User page image information	2047	65504 – 65535	16 kB	User page image size and CRC16

1.2.2 SPI NOR Flash

The selected SPI NOR flash is organized as 256 bytes per page, 4 KB (16 pages) per sector, 64 KB per block and total memory size is 1024 sectors or 64 blocks (4 MB). The SPI flash must support 4 KB sector erase on the entire device, for example, the Macronix MX25L3206E or Cypress/Spansion S25FL132K. The SPI NOR flash is accessed by the SPI interface (USART) of EFM32GG or EFM32WG.

If the binary image is not a multiple of the flash page size (256 bytes), the remaining bytes are padded with 0xFF to keep the program image aligned with the flash page.

Table 1.5. SPI NOR Flash Memory Map

Data	Address	Size	Remark
Main flash image	0x00000000 – 0x001FFFFFFF	2048 kB	Maximum 1024 kB for existing microcontroller
Reserve for future expansion	0x00200000 – 0x003FCFFF	2036 kB	Reserve for future microcontroller >2 MB
User flash image	0x003FD000 – 0x003FEFFF	8 kB	Maximum 2 kB for existing microcontroller
Main flash program information	0x003FF000 – 0x003FF3FF	1 kB	File name, Start address and Lock selection
Main flash image information	0x003FF400 – 0x003FF7FF	1 kB	Main flash image size and CRC16
User page program information	0x003FF800 – 0x003FFBFF	1 kB	File name and Start address
User page image information	0x003FFC00 – 0x003FFFFFFF	1 kB	User page image size and CRC16

1.2.3 Cache

To eliminate the read access from external memory, the programmer uses internal flash memory on the MCU to cache the main flash image from external memory if the image size is less than or equal to 512 kB.

This feature is available on a programmer equipped with 1 MB flash EFM32 Giant Gecko. The lower 512 kB flash is used for the programmer firmware whereas the upper 512 kB flash is available for the target firmware image cache.

1.3 USB Interface

The EFM32 is configured as a USB Host and is designed to communicate with a Mass Storage Device (MSD) USB class (e.g. memory stick).

1.4 LCD Module

The selected LCD module should be controlled by SPI and operated on 3.3 V. The current implementation is 4 x 20 dot matrix LCD module with a Solomon Systech SSD1803 LCD controller and driver.

1.5 Serial Port

When `DEBUG_USB_API` is turned on and `USER_PUTCHAR` is defined, useful debugging information will be output on the serial port. Compiling with the `DEBUG_EFM_USER` flag will also enable all asserts in both *emlib* and in the USB stack. If asserts are enabled and `USER_PUTCHAR` defined, assert texts will be output on the serial port.

The serial port can also be used as a display interface when the LCD module is not available. The serial TX data is routed to the STK virtual COM port by setting the `EFM_BC_EN` line high.

1.6 Gang Programmer Mode

The gang programmer mode is available when using a custom hardware platform design. The DIP switch is used to select x1, x4 or x8 operation mode. Four 1-of-8 FET Multiplexers (for example, Texas Instruments SN74CB3Q3251) are used to route the required signals to different sockets for target device programming.

2. Software Overview

This section covers the software drivers required for the standalone programmer.

The related software modules are found under the Simplicity Studio installation path. Example default locations on Windows for Simplicity Studio V3.3 are:

```
C:\SiliconLabs\SimplicityStudio\v3\developer\sdk\efm32\v2\usb\src
```

```
C:\SiliconLabs\SimplicityStudio\v3\developer\sdk\efm32\v2\kits\common\drivers
```

```
C:\SiliconLabs\SimplicityStudio\v3\developer\sdk\efm32\v2\reptile\fatfs
```

```
C:\SiliconLabs\SimplicityStudio\v3\developer\sdk\efm32\v2\kits\EFM32GG_STK3700\examples\nandflash
```

2.1 USB Host

The programmer uses the USB host stack in the “usb\src” directory and the MSD modules in the “drivers” directory to implement support for Mass Storage Device.

The FAT support for MSD is provided by fatfs in the “reptile\fatfs” directory.

2.2 LCD Module

The SPI LCD driver is used to retarget the `printf()` function to the LCD module and the `retargetio.c` file resides in the “drivers” directory is required.

2.3 Serial Port

The serial port driver is modified from the `retargetserial.c` file in “drivers” directory. It is used to retarget the `printf()` function to the serial TX. The `retargetio.c` file resides in the “drivers” directory is required.

2.4 Upload Image

The programmer acts a USB host that can connect to a Mass Storage Device (MSD) such as a memory stick. The programmer searches for a "proginfo.txt" file in the root directory of the USB MSD which contains the filename of the binary image. The programmer then opens the binary file in root directory and reads the firmware image from the MSD and copies it to the external memory and cache (if available) for programming the target device.

The NAND flash driver is modified from the "nandflash" example of the EFM32GG_STK3700 STK.

The SPI NOR flash driver is used to erase the flash page, read data from the flash page and write data to the flash page.

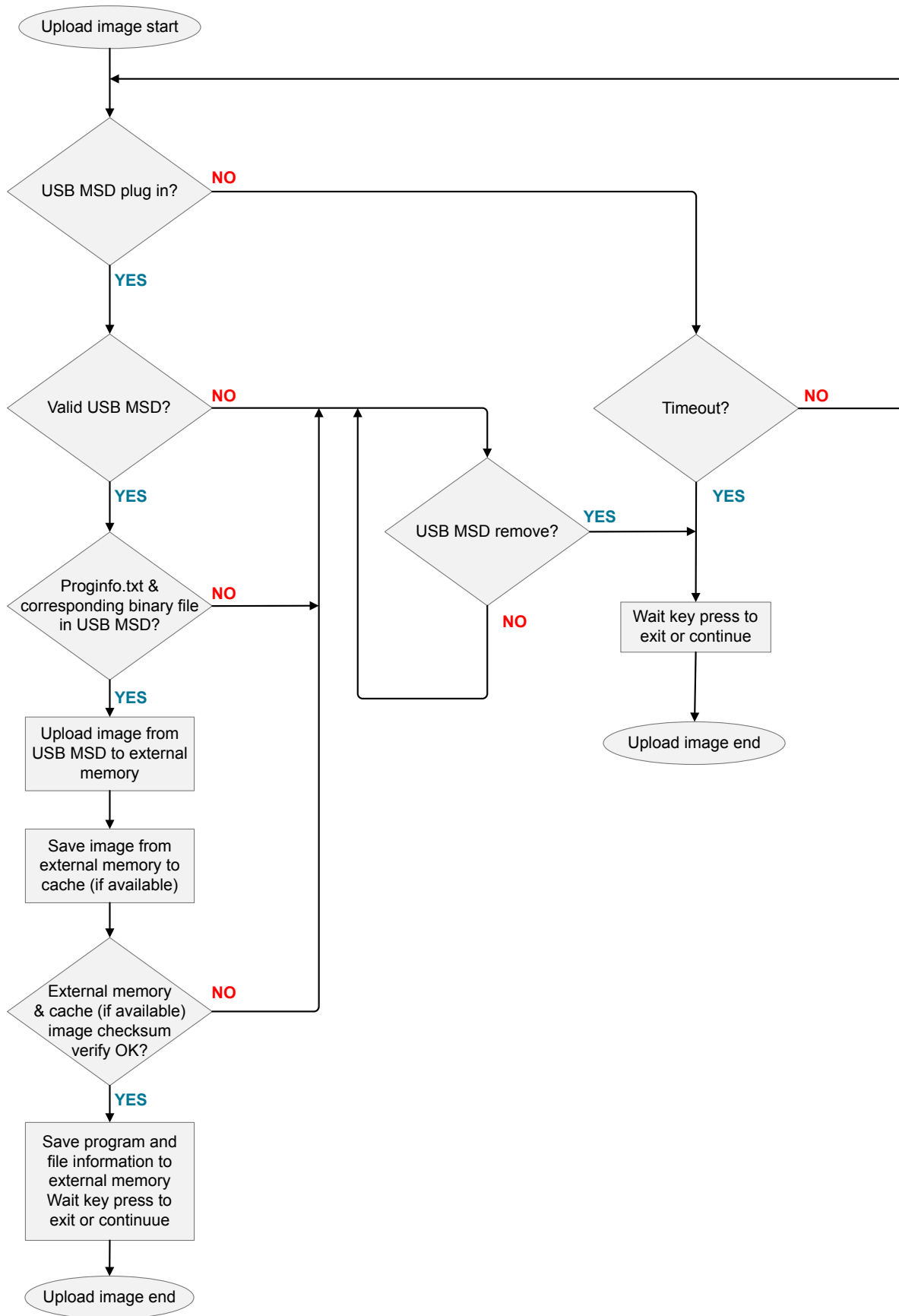


Figure 2.1. Upload Image Flowchart

2.5 Program Target Device

There are two main strategies that can be used when programming the target device. The first option is to write directly to the target device's Memory System Controller (MSC) registers over the Serial Wire Debug (SWD) interface.

The second option is to first write a program directly to target device's RAM and then let this program control the MSC registers. Such a program is called a flash-loader.

Program by writing directly to MSC registers is chosen in this application note since this method is simple and easy to upgrade to support new target devices. Through optimizations on flash erase and write operations, the program speed is close to the flash-loader approach.

See "AN0062: Programming Internal Flash over the Serial Wire Debug Interface" for more information on how to access the debug interface of the target device and how to use this interface to program devices.

2.5.1 Bit-Bang

The major overhead on writing directly to MSC registers method is to emulate the SWDIO and SWCLK signals by bit-banging GPIO pins. In order to speed up this process, the GPIOs of SWCLK and SWDIO for the target device must on the same GPIO port group (0-7 or 8-15). The target RESET line and other signals should not be connected to this port since the software writes to the entire port at once when bit-banging the SWCLK and SWDIO signals.

The functions `readMem()` and `writeMem()` in `utils.c` source file are used to read or write one 32-bit word from or to the target device's registers or memory.

Table 2.1. Read and Write on Accessing Target Device Register or Memory

Function	Simplicity IDE Optimization –O0	Simplicity IDE Optimization –O3
<code>readMem()</code>	170.9 – 177.8 μ s	64.6 - 66.5 μ s
<code>writeMem()</code>	101.8-102.3 μ s	29.8 – 30 μ s

2.5.2 Flash Erase

There are three ways to erase the flash of the target device:

Page Erase

- A page erase can be initiated from software using ERASEPAGE in MSC WRITECMD register. The page erase operations require that the address is written into the MSC ADDR0 register.

Mass Erase (Not Supported on EFM32 Gecko and EFM32 Tiny Gecko)

- A mass erase can be initiated from software using ERASEMAIN0 and ERASEMAIN1 in MSC WRITECMD register. The ERASEMAIN0 is to erase the entire flash or lower half of the flash if device supports read-while-write. The ERASEMAIN1 is to erase the upper half of the flash if device supports read-while-write.

Device Erase

- Device erase is issued over the Authentication Access Port (AAP) interface and erases all flash, SRAM, the Lock Bit (LB) page, and the User data page Lock Word (ULW). This method is not used in this application note.

Table 2.2. Device Flash Organization and Erase Timing

Device	Max Flash Size (kB)	Flash Page Size (Bytes)	User Page Size (Bytes)	Page Erase	Page Erase Time	MassErase	Mass Erase-Time
EFM32G	128	512	512	Y	20 - 20.8 ms (1 page) 5.12 – 5.32 s (device)	N	NA
EFM32TG	32	512	512	Y	20 - 20.8 ms (1 page) 1.28 – 1.33 s (device)	N	NA
EFM32ZG	32	1024	1024	Y	20 - 20.8 ms (1 page) 0.64 – 0.66 s (device)	Y	20 - 20.8 ms
EFM32HG EZR32HG	64	1024	1024	Y	20 - 20.8 ms (1 page) 1.28 – 1.33 s (device)	Y	20 - 20.8 ms
EFM32LG EFM32WG EZR32LG EZR32WG	256	2048	2048	Y	20 - 20.8 ms (1 page) 2.56 – 2.66 s (device)	Y	20 - 20.8 ms
EFM32GG	1024	4096	2048	Y	20 - 20.8 ms (1 page) 5.12 – 5.32 s (device)	Y	20 - 20.8 ms Per 512 KB
EFM32JG EFM32PG EFR32xG	256	2048	2048	Y	20 – 40 ms (1 page) 2.56 – 5.12 s (device)	Y	20 – 40 ms

The flash erase timing (page and mass erase) is grouped into two categories.

- Page and mass erase time is 20-20.8ms
EFM32 Gecko Series 0 and EZR32 Series 0 devices (variable `newFamily = false`).
- Page and mass erase time is 20-40ms
EFM32 Gecko Series 1 and EFR32 Wireless Gecko Series 1 devices (variable `newFamily = true`).

To reduce time for flash erase process, the programmer should avoid erasing the target main flash page by page especially for devices with larger flash memories and smaller page sizes. The EFM32 Gecko and EFM32 Tiny Gecko do not support mass erase so their device flash erase operation is time consuming.

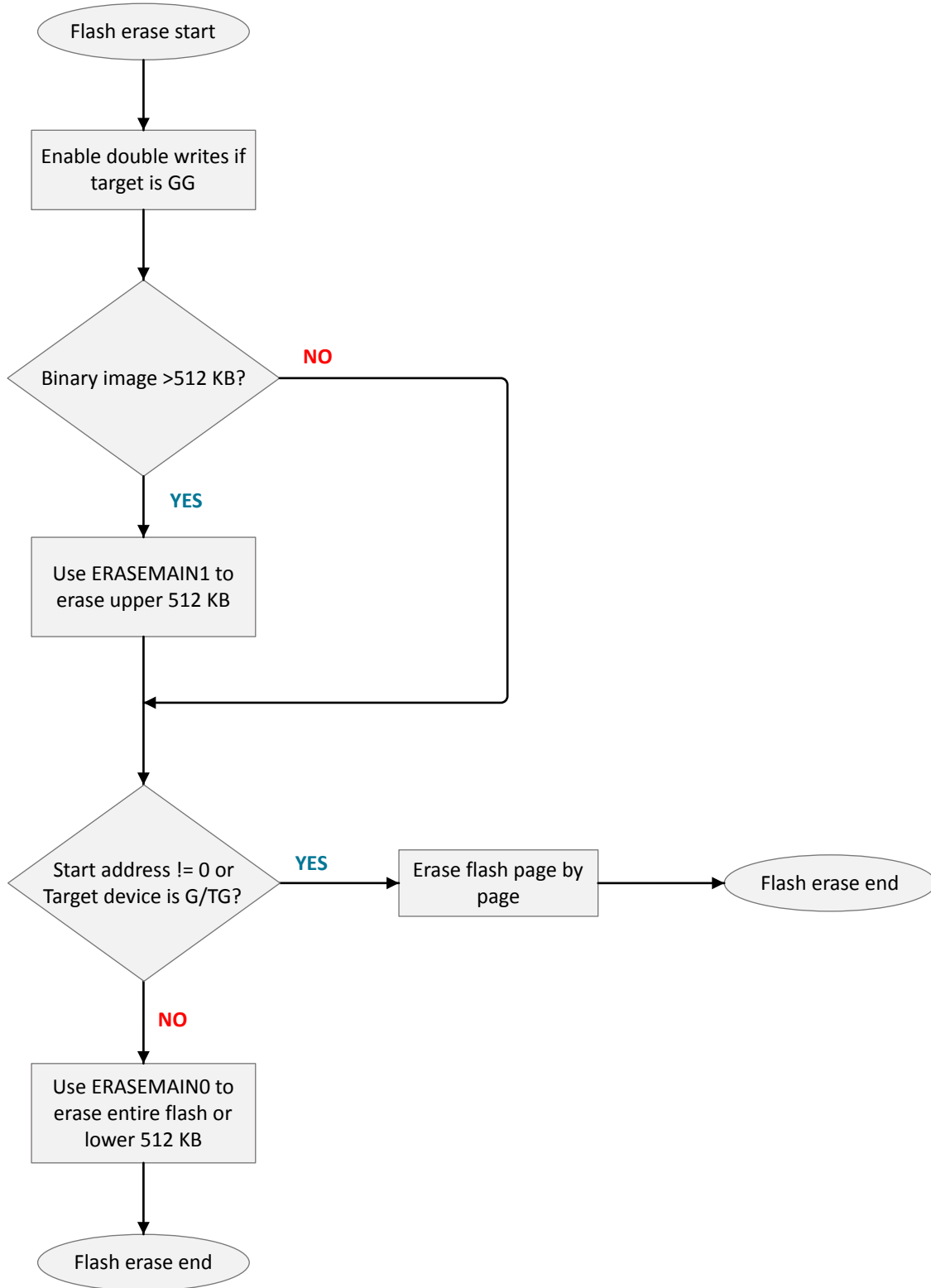


Figure 2.2. Flash Erase Flowchart

2.5.3 Combine Bootloader with Application Binary File

The mass erase can only be used on an application binary image with start address equal to 0x00000000.

There are cases the program start address is not 0x00000000 and the time-consuming page erase process must be used.

- Keep the pre-programmed bootloader and program the application firmware on a flash page size boundary address.
- Program the bootloader at 0x00000000, then program the application firmware on a flash page size boundary address.

The solution is to combine the bootloader and application firmware into one binary file so the program start address can be set to 0x00000000 for mass erase.

To achieve this, it needs a tool called Simplicity Commander, installed along with Simplicity Studio in a subfolder of the install folder (C:\SiliconLabs\SimplicityStudio\v3\SimplicityCommander). See *UG162: "Simplicity Commander Reference Guide"* for more information.

Extract the Simplicity Commander from `Commander_pkg_0.14.0.zip` to the current folder or another folder (e.g. C:\SiliconLabs\Simplicity Commander) to execute the command line interface.

Connect any EFM32 STK with enough flash memory for the bootloader firmware to a PC, invoke the Command-Line Interface (CLI) of Simplicity Commander. To execute the command of Simplicity Commander, start a Windows command window and change to the Simplicity Commander directory (e.g. C:\SiliconLabs\Simplicity Commander).

For simplicity, put all related binary files in the Simplicity Commander directory and execute a mass erase for the device on the STK.

```
> commander device masserase
```

Flash the bootloader image (e.g. `bootloader-giantgecko.bin` from AN0003) to the target device, starting at 0x00000000.

```
> commander flash bootloader-giantgecko.bin --address 0x0
```

Read the flash contents from 0x0 to the start address of the application firmware (e.g. 0x1000, which must align with a target device flash page size boundary) and store it to a binary file (e.g. `giantbl4k.bin`).

The address range is non-inclusive, meaning that all bytes from 0x0 up to and including 0xFF are read out.

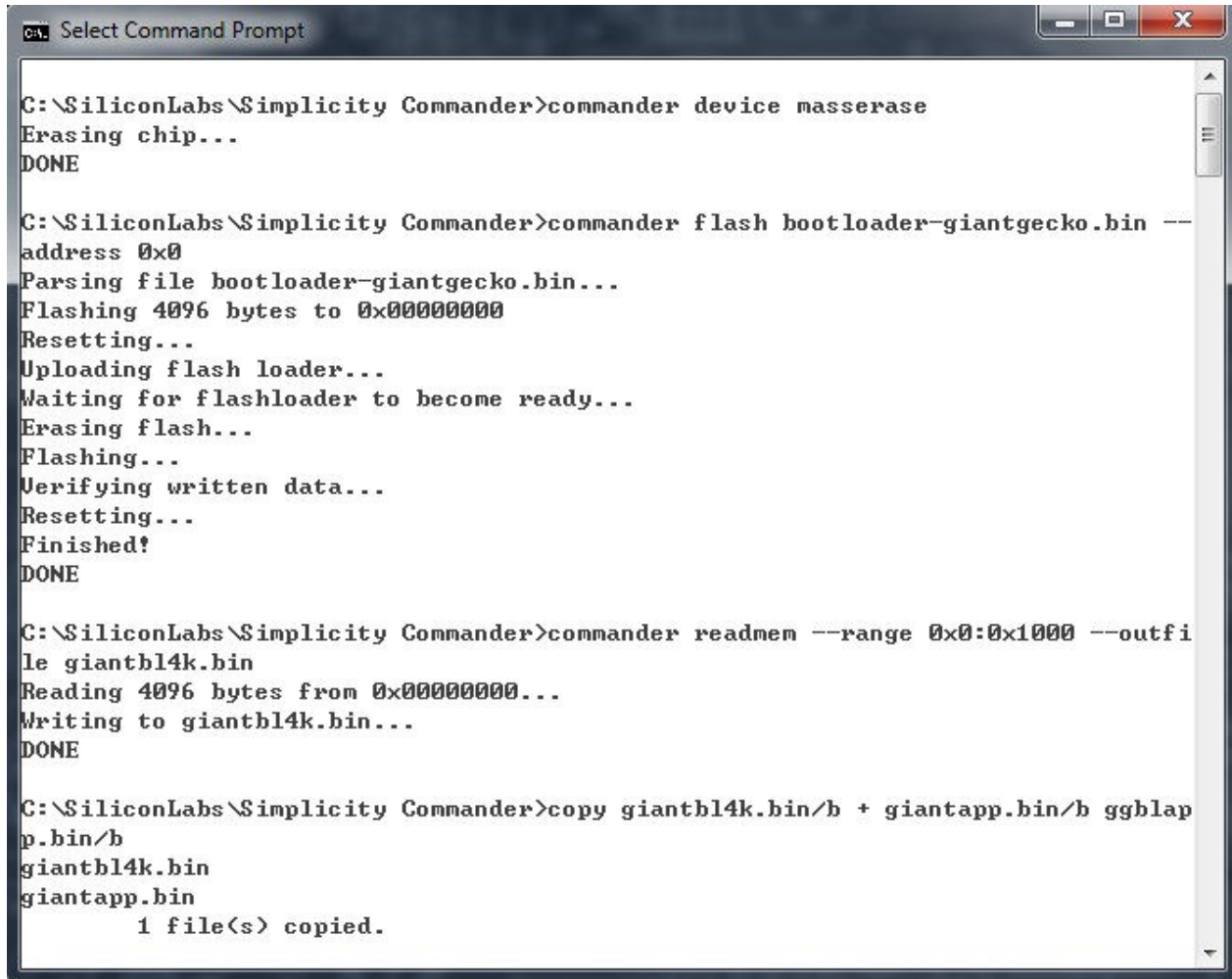
```
> commander readmem --range 0x0:0x1000 --outfile giantbl4k.bin
```

The entire flash was erased before program the bootloader image so the gap between bootloader and application firmware is filled with 0xFF.

Use the MSDOS copy command to combine output binary file (`giantbl4k.bin`) and application firmware (e.g. `giantapp.bin`).

```
> copy giantbl4k.bl.bin/b + giantapp.bin/b ggblapp.bin/b
```

The combined binary file (`ggblapp.bin`) can now be used for device programming with program start address at 0x00000000.



```
C:\SiliconLabs\Simplicity Commander>commander device masserase
Erasing chip...
DONE

C:\SiliconLabs\Simplicity Commander>commander flash bootloader-giantgecko.bin --
address 0x0
Parsing file bootloader-giantgecko.bin...
Flashing 4096 bytes to 0x00000000
Resetting...
Uploading flash loader...
Waiting for flashloader to become ready...
Erasing flash...
Flashing...
Verifying written data...
Resetting...
Finished!
DONE

C:\SiliconLabs\Simplicity Commander>commander readmem --range 0x0:0x1000 --outfi
le giantbl4k.bin
Reading 4096 bytes from 0x00000000...
Writing to giantbl4k.bin...
DONE

C:\SiliconLabs\Simplicity Commander>copy giantbl4k.bin/b + giantapp.bin/b ggblap
p.bin/b
giantbl4k.bin
giantapp.bin
        1 file(s) copied.
```

Figure 2.3. Use Simplicity Commander to Combine Bootloader and Application Binary File

2.5.4 Flash Write

The write operation requires the address to be written into the MSC ADDR_B register. After each 32 bit word is written, the internal address register will be incremented automatically by 4 (except EFM32 Gecko family). When a word is written to the MSC WDATA register, the WDATA_{READY} bit of the MSC STATUS register is cleared. When this status bit is set, software can write the next word.

The EFM32 Giant Gecko devices have the ability to do double writes to the flash. This is enabled by setting the WDOUBLE bit in the MSC WRITECTRL register, and only has effect on the main pages of the flash. When double writes are enabled, MSC WDATA accepts two 32-bit words before a flash write is started.

Table 2.3. Device Flash Write Features and Timing

Device	Max Flash Size (kB)	Auto Address Increment	Double Words (64 bit) Write	Write Time (32/64 bit word)	Total Write Time
EFM32G	128	N	N	20 μ s (min)	0.66 s
EFM32TG	32	Y	N	20 μ s (min)	0.16 s
EFM32ZG	32	Y	N	20 μ s (min)	0.16 s
EFM32HG EZR32HG	64	Y	N	20 μ s (min)	0.33 s
EFM32LG EFM32WG EZR32LG EZR32WG	256	Y	N	20 μ s (min)	1.31 s
EFM32GG	1024	Y	Y (Main flash only)	20 μ s (min)	5.24 s (32 bit word) 2.62 s (64 bit word)
EFM32JG EFM32PG EFR32xG	256	Y	N	20 – 40 μ s	1.31 – 2.62 s

The flash write timing can be grouped into two categories.

- Flash write time is 20 μ s minimum

EFM32 Gecko Series 0 and EZR32 Series 0 devices (variable `newFamily = false`).

- Flash write time is 20-40 μ s

EFM32 Gecko Series 1 and EFR32 Wireless Gecko Series 1 devices (variable `newFamily = true`).

To reduce the time for the flash write process, the programmer should try to skip polling the WDATA_{READY} bit in MSC STATUS register after writing each 32- or 64-bit word since the register read process is time consuming (~65 μ s). The alternative is to add a fixed micro second delay between each write to make sure the maximum write time can be met. The EFM32 Gecko family does not support auto address increment so it needs to load new address into the MSC ADDR_B register prior to writing each 32 bit word.

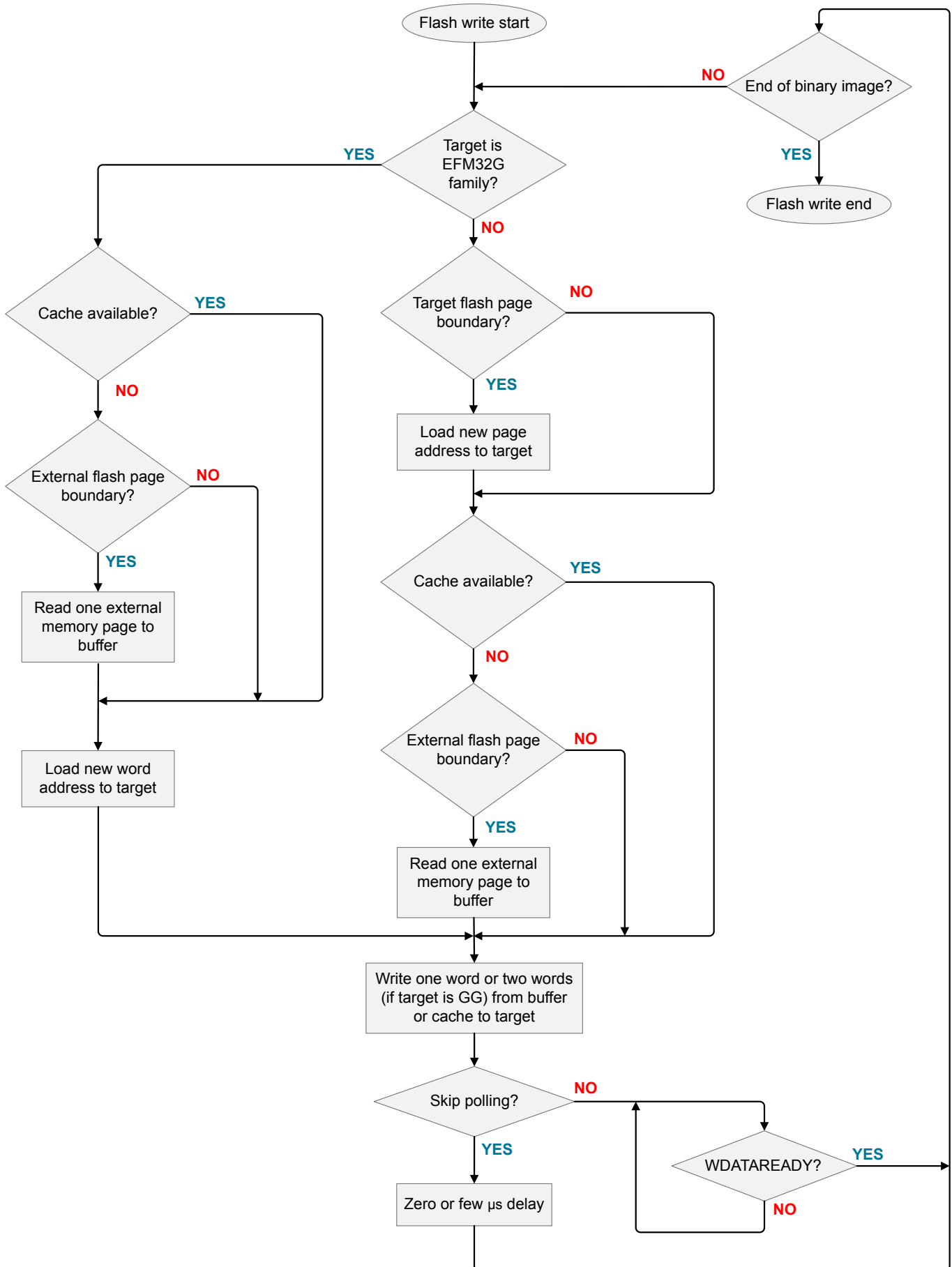


Figure 2.4. Flash Write Flowchart

2.5.5 Flash Verify

The programmer verifies the target flash contents with external memory or cache (if available) to make sure that no errors occurred during the programming process. The auto increment of Transfer Address Register (TAR) is for burst read within TAR wrap around boundary, the TAR must be initialized at every TAR wrap boundary to setup the next flash read address.

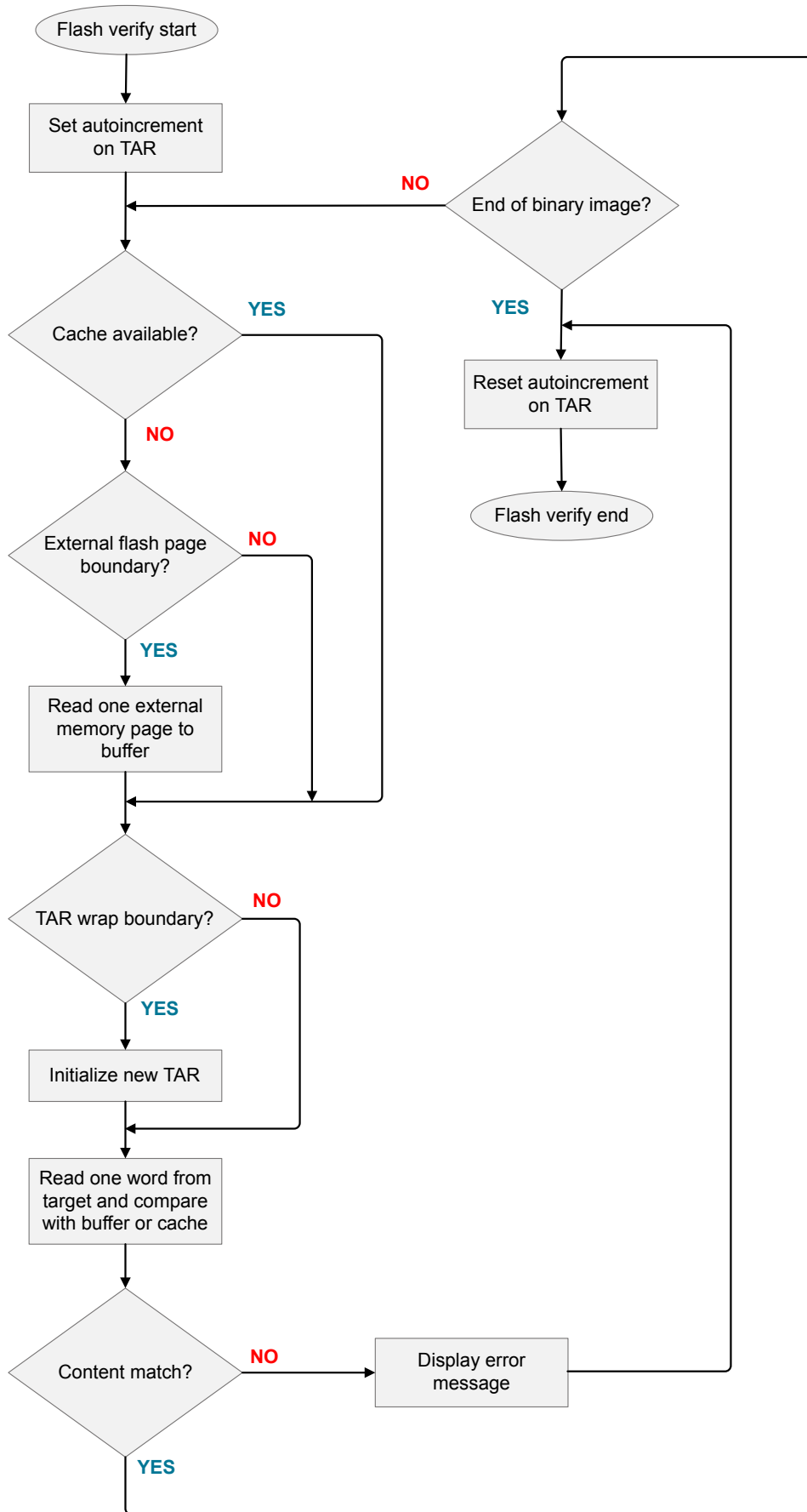


Figure 2.5. Flash Verify Flowchart

2.5.6 Debug Access and Authentication Access Port (AAP) Access Lock

The debug access to the Cortex core is locked by clearing the Debug Lock Word (DLW, word 127) in the Lock Bits page and resetting the device. When debug access is locked, the debugger can access the AAP registers. However, the connection to the Cortex core and the whole bus system is blocked.

The AAP access is locked by clearing the Authentication Access Port (AAP) lock word (ALW, word 124) of the Lock Bits page. Once the AAP is locked, it is impossible to perform an external mass erase and the AAP lock cannot be reset. The only way to program the device when AAP is locked is through a bootloader or by software already loaded into the flash.

The lock feature can be grouped into two categories:

- Devices support debug access lock only
EFM32 Gecko Series 0 and EZR32 Series 0 devices (variable `newFamily = false`).
- Devices support debug access and AAP lock
EFM32 Gecko Series 1 and EFR32 Wireless Gecko Series 1 devices (variable `newFamily = true`).

2.6 Compile Options

The programmer has its corresponding header files to setup the software and hardware environment. The hardware environment is configured by the header files as shown in the following table, whereas the software environment is configured by the `progconf.h` and the related parameters shown in the next table.

Table 2.4. Header Files for Hardware Configuration

File	Usage	Default Value
<code>lcddisplay.h</code>	Define the USART and GPIO to interface with external LCD module	See Table 1.1 Resources of EFM32 STK Used by Programmer on page 2 , Table 1.2 Expansion Header for External Hardware and Target Device on page 3 and Table 1.3 Pin Assignments of Customized Hardware on page 4 for details
<code>spiflash.h</code>	Define the USART and GPIO to interface with external SPI flash	See Table 1.1 Resources of EFM32 STK Used by Programmer on page 2 , Table 1.2 Expansion Header for External Hardware and Target Device on page 3 and Table 1.3 Pin Assignments of Customized Hardware on page 4 for details
<code>kits.h</code>	Define GPIO for keys, LEDs, SWD interface and external MUX control	See Table 1.1 Resources of EFM32 STK Used by Programmer on page 2 , Table 1.2 Expansion Header for External Hardware and Target Device on page 3 and Table 1.3 Pin Assignments of Customized Hardware on page 4 for details
<code>vcomdisplay.h</code>	Define GPIO for serial port	See Table 1.1 Resources of EFM32 STK Used by Programmer on page 2 , Table 1.2 Expansion Header for External Hardware and Target Device on page 3 and Table 1.3 Pin Assignments of Customized Hardware on page 4 for details

Table 2.5. Parameters in progconf.h File for Software Configuration

Parameter	Usage	Default Setting
<code>USE_EFM32_STK</code>	Use EFM32 STK or customized hardware for programmer (FALSE for customized hardware, TRUE for EFM32 STK)	TRUE
<code>TEXT_FILENAME</code>	Define the text file name that provides the information to program the device	<code>proginfo.txt</code>
<code>EXTERNAL_MEMORY</code>	Select EBI NAND flash or SPI NOR flash (0 for SPI NOR FLASH, 1 for EBI NAND Flash)	1 (EBI_NAND_FLASH)
<code>USB_WAIT_TIMEOUT</code>	Timeout in seconds to wait until USB MSD is plugged in	5
<code>SKIP_POLLING</code>	Skip polling the WDATAREADY bit in MSC STATUS register after writing data to target device flash (TRUE to skip)	TRUE
<code>WRITE_DELAY</code>	Delay in micro seconds after writing data to target device flash (only valid if <code>SKIP_POLLING = TRUE</code>)	10 if using EFM32GG 11 if using EFM32WG
<code>LOCK_RESET_DELAY</code>	Pin reset delay after debug lock in milliseconds	1
<code>ERASE_DELAY</code>	Delay in milliseconds after a flash page erase or mass erase	20
<code>ERASE_LOOPCNT</code>	Loop count to poll the BUSY bit in the MSC STATUS register after a flash page erase or mass erase	400 (>20 ms)
<code>RESET_PULSE_WIDTH</code>	Pin reset pulse width in milliseconds	1
<code>RESET_DELAY</code>	Pin reset delay in milliseconds	1
<code>MUX_DELAY</code>	Delay in milliseconds after swithcing external MUX control pins in gang programming mode	1
<code>DISP_INTERFACE</code>	Select display interface ((0 for none, 1 for LCD, 2 for serial port)	2 (DISP_VCOM)

2.7 Add a New Silicon Labs EFM32/EFR32/EZR32 Device to the Programmer

The new Silicon Labs EFM32/EFR32/EZR32 device should have a Serial Wire Debug (SWD) interface with a Cortex-M0+, Cortex-M3 or Cortex-M4 core. The known differences between current EFM32/EFR32/EZR32 families are Chip Information (Family Code...) in the Device Information (DI) page, the Memory System Controller (MSC) Base Address, the AAP Identification Register (IDR) value if debug access is locked, the wrap boundary of the Transfer Address Register (TAR) on the AHB-AP, the flash erase timing (see [Table 2.2 Device Flash Organization and Erase Timing on page 11](#) for details) and the flash write timing (see [Table 2.3 Device Flash Write Features and Timing on page 15](#) for details).

Table 2.6. Differences between Current EFM32/EFR32/EZR32 Families

Device	Family Code	MSC Base Address	IDR Value (Lock/Unlock)	Wrap Boundary of TAR
EFM32G	71	0x400C0000	0x16E60001/0x24770011	0xFFFF
EFM32GG	72	0x400C0000	0x16E60001/0x24770011	0xFFFF
EFM32TG	73	0x400C0000	0x16E60001/0x24770011	0xFFFF
EFM32LG	74	0x400C0000	0x16E60001/0x24770011	0xFFFF
EFM32WG	75	0x400C0000	0x16E60001/0x24770011	0xFFFF
EFM32ZG	76	0x400C0000	0x16E60001/0x04770031	0x3FF
EFM32HG	77	0x400C0000	0x16E60001/0x04770031	0x3FF
EZR32WG	120	0x400C0000	0x16E60001/0x24770011	0xFFFF
EZR32LG	121	0x400C0000	0x16E60001/0x24770011	0xFFFF
EZR32HG	122	0x400C0000	0x16E60001/0x04770031	0x3FF
EFM32PG	81	0x400E0000	0x26E60011/0x24770011	0xFFFF
EFM32JG	83	0x400E0000	0x26E60011/0x24770011	0xFFFF
EFR32MG	16-18	0x400E0000	0x26E60011/0x24770011	0xFFFF
EFR32BG	19-21	0x400E0000	0x26E60011/0x24770011	0xFFFF
EFR32FG	25-27	0x400E0000	0x26E60011/0x24770011	0xFFFF

If the differences in the new device are identified, the corresponding header files and source files should be modified to support the new device. The parameters for software configuration in [Table 2.5 Parameters in progconf.h File for Software Configuration on page 20](#) may need to be changed to adapt to the new device. The following table is an example showing how to add EFR32MG support to the programmer.

Table 2.7. Header and Source Files Need to be Modified to Add a New Device

Item	File	Existing Define or Code	Action
Family code	util.h	No define for EFR32MG	Add below defines to util.h <pre>#define _DEVICE_FAMILY_EFR32MG1P 16 #define _DEVICE_FAMILY_EFR32MG1B 17 #define _DEVICE_FAMILY_EFR32MG1V 18</pre>
	util.c	No code for EFR32MG Note: newFamily = false for EFM32 Gecko Series 0 and EZR32 Series 0 devices newFamily = true for EFM32 Gecko Series 1 and EFR32 Wireless Gecko Series 1 devices	Add EFR32MG support to <code>getDeviceName()</code> function, use EFR32MG1P as an example <pre>case _DEVICE_FAMILY_EFR32MG1P: sprintf(familyCode, "%s", "EFR32MG1P"); mainPageSize = 2048; userPageSize = 2048; mainPageSizeMask = 0x7ff; setMscBaseAddrP2(); newFamily = true; break;</pre>
MSC Base Address	util.h	<pre>#define MSCBASE_ADDR_P1 0x400c0000 #define MSCBASE_ADDR_P2 0x400e0000</pre>	The <code>MSCBASE_ADDR_P2</code> define can cover EFR32MG
	util.h	<pre>__STATIC_INLINE void setMscBaseAddrP1(void) __STATIC_INLINE void setMscBaseAddrP2(void)</pre>	The <code>setMscBaseAddrP2()</code> function can cover EFR32MG
IDR Value	dap.h	<pre>#define EFM32_AAP_ID_P1 0x16e60001 #define EFM32_AAP_ID_P2 0x26e60011</pre>	The <code>EFM32_AAP_ID_P2</code> define can cover EFR32MG
	utils.c	Used in <code>checkIfMzeroIsLocked()</code> and <code>connectToTarget()</code> function	The <code>checkIfMzeroIsLocked()</code> function is only for Cortex-M0+ core The <code>connectToTarget()</code> function can cover EFR32MG (<code>EFM32_AAP_ID_P2</code>)
	debug_lock.c	Used in <code>lockTarget()</code> function	The current <code>lockTarget()</code> function can cover EFR32MG (<code>EFM32_AAP_ID_P2</code>)
Wrap Boundary of TAR	utils.h	<pre>#define TAR_WRAP_4K 0xFFF #define TAR_WRAP_1K 0x3FF</pre>	The <code>TAR_WRAP_4K</code> define can cover EFR32MG
	utils.c	No code for EFR32MG	Add EFR32MG support to <code>getTarWrap()</code> function on <code>return TAR_WRAP_4K;</code> <pre>case _DEVICE_FAMILY_EFR32MG1P: case _DEVICE_FAMILY_EFR32MG1B: case _DEVICE_FAMILY_EFR32MG1V:</pre>
Software Parameters	progconfig.h	<pre>#if defined(_EFM32_GIANT_FAMILY) #define WRITE_DELAY 10 #else #define WRITE_DELAY 11 #endif</pre>	Current <code>WRITE_DELAY</code> can support EFR32MG

3. User Interface

3.1 Push Buttons

There are two push buttons, PB0 and PB1, on the programmer.

PB0:

- Scrolls down in main menu.
- Returns to main menu from submenu.

PB1:

- Executes the selected item.

3.2 LEDs

There are two LEDs, LED0 and LED1, on the programmer.

LED0:

- On if an error occurs.

LED1:

- On if the programmer is busy, indicating push buttons are ignored.

LED0 and LED1 are also used to display menu status if an LCD is not available for the programmer.

3.3 Display

There is [compile option](#) to select display interface for standalone programmer.

3.3.1 No Display

This is not recommended since the programmer status can only be indicated by LED0 and LED1.

3.3.2 External LCD Module

- For menu operation and display information when programming the device.
- Use the software driver to retarget `printf()` function to the LCD module.



Figure 3.1. LCD Display

3.3.3 Serial Interface

- For debugging and menu operation if LCD is not available.
- USB to UART Bridge is not required if using EFM32GG or EFM32WG STK (onboard USB virtual COM port) as programmer.
- Use software driver to retarget `printf()` function to serial interface (115200 N 8 1).
- PC terminal software is required to display data from serial interface.

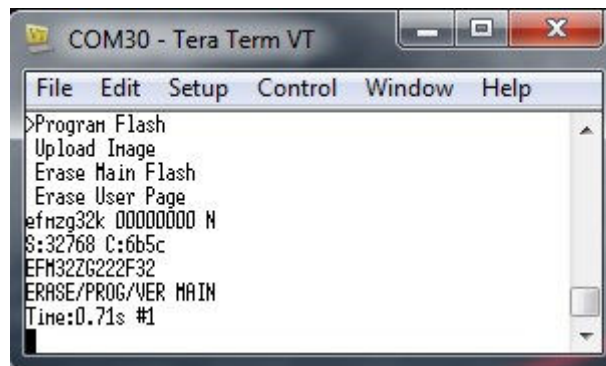


Figure 3.2. Serial Interface Display

4. Operation Flow

4.1 Text File and Binary Image

The programmer retrieves the target binary image from a USB MSD and stores it to external memory (EBI NAND flash or SPI NOR flash) for device programming.

The USB MSD must have a text file (default name is “`proginfo.txt`”) that provides related information for programmer to load the binary file and program the device. The corresponding text (`.txt`) and binary (`.bin`) files must be stored in the root directory of the USB MSD.

The content of a text file must be in the following formats:

```
<Main flash binary file name> <Flash start address> <Lock AAP or Debug access>
```

```
<User page binary file name> <User page address>
```

Long filename (LFN) is not supported on text and binary files. The address is in hexadecimal format (8 digits without “0x” prefix).

The following example text file programs “main flash only” from “`mainprog.bin`” at address “0x00000000” with “debug access lock”:

```
mainprog 00000000 Y
```

The following example text file programs “main flash only” from “`mainprog.bin`” at address “0x00000000” with “AAP lock”:

```
mainprog 00000000 A
```

The following example text file programs “user page” only from “`userprog.bin`” at address “0x0fe00000”:

```
userprog 0fe00000
```

The following example programs “main flash” from “`mainprog.bin`” at address “0x00001000” and “user page” from “`userprog.bin`” at address “0x0fe00000” “without debug access lock”:

```
mainprog 00001000 N  
userprog 0fe00000
```

4.2 Menu Operation

4.2.1 Main Menu

Press PB0 to scroll down, PB1 to select.

```
>Program Flash (LED0 and LED1 off if no LCD display)  
Upload Image (LED0 on and LED1 off if no LCD display)  
Erase Main Flash (LED0 off and LED1 on if no LCD display)  
Erase User Page (LED0 on and LED1 on if no LCD display)
```

4.2.2 Program Flash Submenu

This menu displays the current valid binary image information in external memory. "S:" is the binary file size in bytes, and "C:" is the binary file checksum (CRC16) in hexadecimal.

```
mainprog 00000000 N  
S:524288 C:4196
```

Displays "No binary in memory" if no valid binary image is in external memory.

Press PB1 to program target, PB0 to return to main menu.

Displays the target device information, current process and LED1 turns on during operation.

```
EFM32GG990F1024  
ERASE/PROG/VER MAIN
```

Displays the programing time and device count (#n) if no errors occurred during the operation.

```
Time:8.99s #1
```

Displays error message(s) if the programming fails, and also turns on LED0.

In gang programming mode, the four or eight target devices are programmed sequentially.

Press PB0 to program again, PB1 to return to main menu.

4.2.3 Upload Image Submenu

This menu starts by waiting for the user to plug the USB MSD device in.

```
Plug in USB MSD  
Wait...
```

If a USB MSD is not detected within the timeout interval (default is 5 seconds), it will display an error code:

```
No device plug-in
```

Press PB1 to retry, PB0 to return to main menu.

Displays the binary image information similarly to the program flash submenu, if a valid binary file is successfully uploaded from USB MSD to the external memory.

```
mainprog 00000000 N  
S:524288 C:4196
```

Displays error message(s) if the upload image process fails.

Press PB1 to upload the image again, PB0 to return to main menu.

4.2.4 Erase Main Flash Submenu

This menu will display the target device information and turn LED1 on during the operation.

```
EFM32ZG222F32
```

Displays the following message if no error occurs during the main flash erase.

```
Erase Main done
```

Displays error message(s) and turns LED0 on if the erase main flash operation fails.

In gang program mode, the main flash of four or eight target devices are erased sequentially.

Press PB0 to erase main flash again, PB1 to return to main menu.

4.2.5 Erase User Page Submenu

This menu displays the target device information and turns LED1 on during the operation.

```
EFM32ZG222F32
```

Displays the following message if no error occurs during the user page erase.

```
Erase User done
```

Displays error message(s) and turns LED0 on if the erase user page fails.

In gang program mode, the user page of four or eight target devices are erased sequentially.

Press PB0 to erase user page again, PB1 to return to main menu.

5. Testing

5.1 Test Setup

The interconnection diagram used with the programmer is shown in the figure below. The programmer is the EFM32GG_STK3700 or EFM32WG_STK3800 and the target device is EFM32 STK or EFR32 WSTK or EZR32 WSTK.

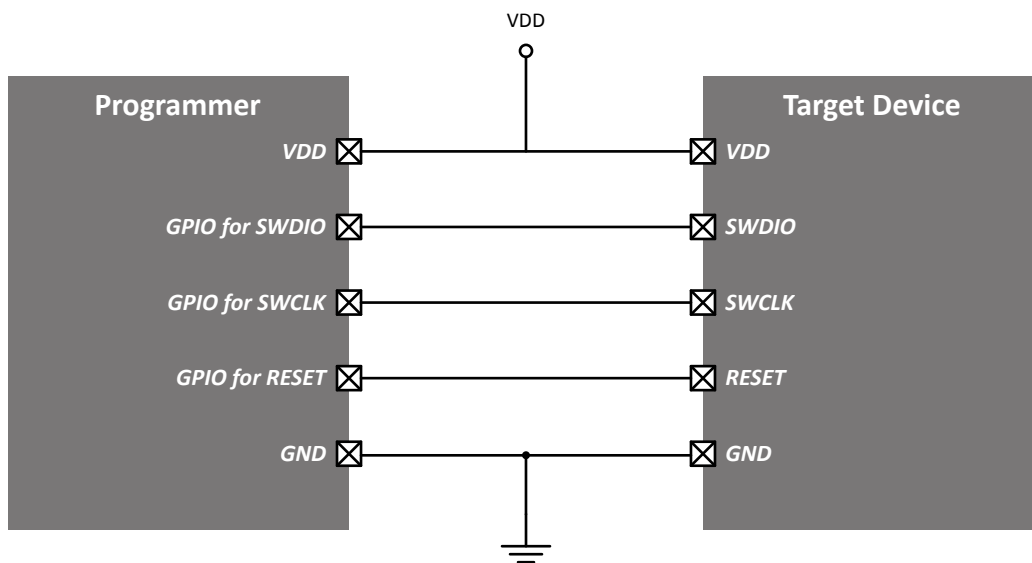


Figure 5.1. Programmer Connection Diagram

The corresponding signals on different target STK and WSTK are shown in the table below. The pin or pad location can be found in the schematic and assembly drawing of the associated STK or WSTK

The target device on STK or WSTK is powered by the programmer so the power switch (the slide switch in the lower left corner of the board) of STK or WSTK should be in the BAT position.

Table 5.1. Pins or Pads for Connection on Target STK and WSTK

Target Device STK or WSTK	Signal	Pin or Pad on STK or WSTK Main Board	Pad on WSTK Radio Board
EFM32_Gxxx_STK	GND	TP811	NA
EFM32GG_STK3700	RESET	TP815	
EFM32LG_STK3600	SWDIO	TP812	
EFM32TG_STK3300	SWCLK	TP813	
EFM32WG_STK3800	VDD	Pin 2 of P100 (EXP port)	
SLSTK3400A_EFM32HG	GND	Pin 3 of J102	NA
	RESET	TP400	
	SWDIO	Pin 7 of J102	
	SWCLK	Pin 5 of J102	
	VDD	Pin 2 of P100 (EXP port)	

Target Device STK or WSTK	Signal	Pin or Pad on STK or WSTK Main Board	Pad on WSTK Radio Board
EFM32ZG_STK3200	GND RESET SWDIO SWCLK VDD	Pin 3 of P801 Pin 10 of P801 Pin 2 of P801 Pin 6 of P801 Pin 1 of P801	NA
SLSTK3401A_EFM32PG	GND RESET SWDIO SWCLK VDD	Pin 3 of J102 TP154 Pin 7 of J102 Pin 5 of J102 Pin 2 of P100 (EXP port)	NA
SLWSTK620xA_EZR32LG SLWSTK622xA_EZR32WG	GND RESET SWDIO SWCLK VDD	Pin 1 of P100 (EXP port) Pin 1 of SW102 Pin 26 (P21) of J101 Pin 25 (P20) of J101 Pin 2 of P100 (EXP port)	TPJ13 TPJ17 TPJ1 TPJ2 TPJ11
SLWSTK6000A_EFR32MG	GND RESET SWDIO SWCLK VDD	Pin 1 of P100 (EXP port) Pin 1 of SW102 Pin 7 (P26) of J102 Pin 5 (P24) of J102 Pin 2 of P100 (EXP port)	TPJ13 TPJ17 TPJ1 TPJ2 TPJ11

5.2 Test Results

The binary files for testing are saved in the “testbin” folder of this application note and the test results in the table below are based on following conditions.

- SDK is EFM32 SDK v4.4.0
- Erase, program and verify main flash only
- [Compile options](#) of `progconfig.h` are set to default values (SKIP_POLLING = TRUE, WRITE_DELAY = 10 for EFM32GG_STK3700 and WRITE_DELAY = 11 for EFM32GG_STK3800)
- Software is compiled with `-O3` optimization (release build) in Simplicity IDE
- External memory is on board NAND flash, and internal cache is available on EFM32GG_STK3700

Table 5.2. Program Time for Different Target Devices

Target Device (STK or WSTK)	Binary File Name	Binary File Size	Program in Binary File	EFM32GG_STK3700	EFM32WG_STK3800
EFM32ZG_STK3200	efmzg32k	32 KB	spaceinvaders	0.71s	0.74s
EFM32TG_STK3300	efmtg32k	32 KB	emlcd	2.24s	2.26s
SLSTK3400A_EFM32HG	efmhg64k	64 KB	spaceinvaders	1.39s	1.43s
EFM32_Gxxx_STK	efmg128k	128 KB	emlcd	10.7s	10.33s
EFM32LG_STK3600 EFM32WG_STK3800	efm256k	256 KB	emlcd	5.47s	5.62s
EFM32GG_STK3700	efm512k	512 KB	emlcd	8.99s	9.34s
EFM32GG_STK3700	efm1024k	1024 KB	emlcd	18.38s	18.69s
SLWSTK620xA_EZR32LG SLWSTK622xA_EZR32WG	ezr256k	256 KB	clock	5.47s	5.62s
SLSTK3401A_EFM32PG	efr256k	256 KB	spaceinvaders	6.31s	6.43s
SLWSTK6000A_EFR32MG	efr256k	256 KB	spaceinvaders	6.31s	6.43s

6. Document Revision History

Revision 0.1

July 26, 2016

Initial release.

Silicon Labs

Simplicity Studio™4



Simplicity Studio

One-click access to MCU and wireless tools, documentation, software, source code libraries & more. Available for Windows, Mac and Linux!



IoT Portfolio
www.silabs.com/IoT



SW/HW
www.silabs.com/simplicity



Quality
www.silabs.com/quality



Support and Community
community.silabs.com

Disclaimer

Silicon Labs intends to provide customers with the latest, accurate, and in-depth documentation of all peripherals and modules available for system and software implementers using or intending to use the Silicon Labs products. Characterization data, available modules and peripherals, memory sizes and memory addresses refer to each specific device, and "Typical" parameters provided can and do vary in different applications. Application examples described herein are for illustrative purposes only. Silicon Labs reserves the right to make changes without further notice and limitation to product information, specifications, and descriptions herein, and does not give warranties as to the accuracy or completeness of the included information. Silicon Labs shall have no liability for the consequences of use of the information supplied herein. This document does not imply or express copyright licenses granted hereunder to design or fabricate any integrated circuits. The products are not designed or authorized to be used within any Life Support System without the specific written consent of Silicon Labs. A "Life Support System" is any product or system intended to support or sustain life and/or health, which, if it fails, can be reasonably expected to result in significant personal injury or death. Silicon Labs products are not designed or authorized for military applications. Silicon Labs products shall under no circumstances be used in weapons of mass destruction including (but not limited to) nuclear, biological or chemical weapons, or missiles capable of delivering such weapons.

Trademark Information

Silicon Laboratories Inc.®, Silicon Laboratories®, Silicon Labs®, SiLabs® and the Silicon Labs logo®, Bluegiga®, Bluegiga Logo®, Clockbuilder®, CMEMS®, DSPLL®, EFM®, EFM32®, EFR®, Ember®, Energy Micro, Energy Micro logo and combinations thereof, "the world's most energy friendly microcontrollers", Ember®, EZLink®, EZRadio®, EZRadioPRO®, Gecko®, ISOModem®, Precision32®, ProSLIC®, Simplicity Studio®, SiPHY®, Telegesis, the Telegesis Logo®, USBXpress® and others are trademarks or registered trademarks of Silicon Labs. ARM, CORTEX, Cortex-M3 and THUMB are trademarks or registered trademarks of ARM Holdings. Keil is a registered trademark of ARM Limited. All other products or brand names mentioned herein are trademarks of their respective holders.



SILICON LABS

Silicon Laboratories Inc.
400 West Cesar Chavez
Austin, TX 78701
USA

<http://www.silabs.com>